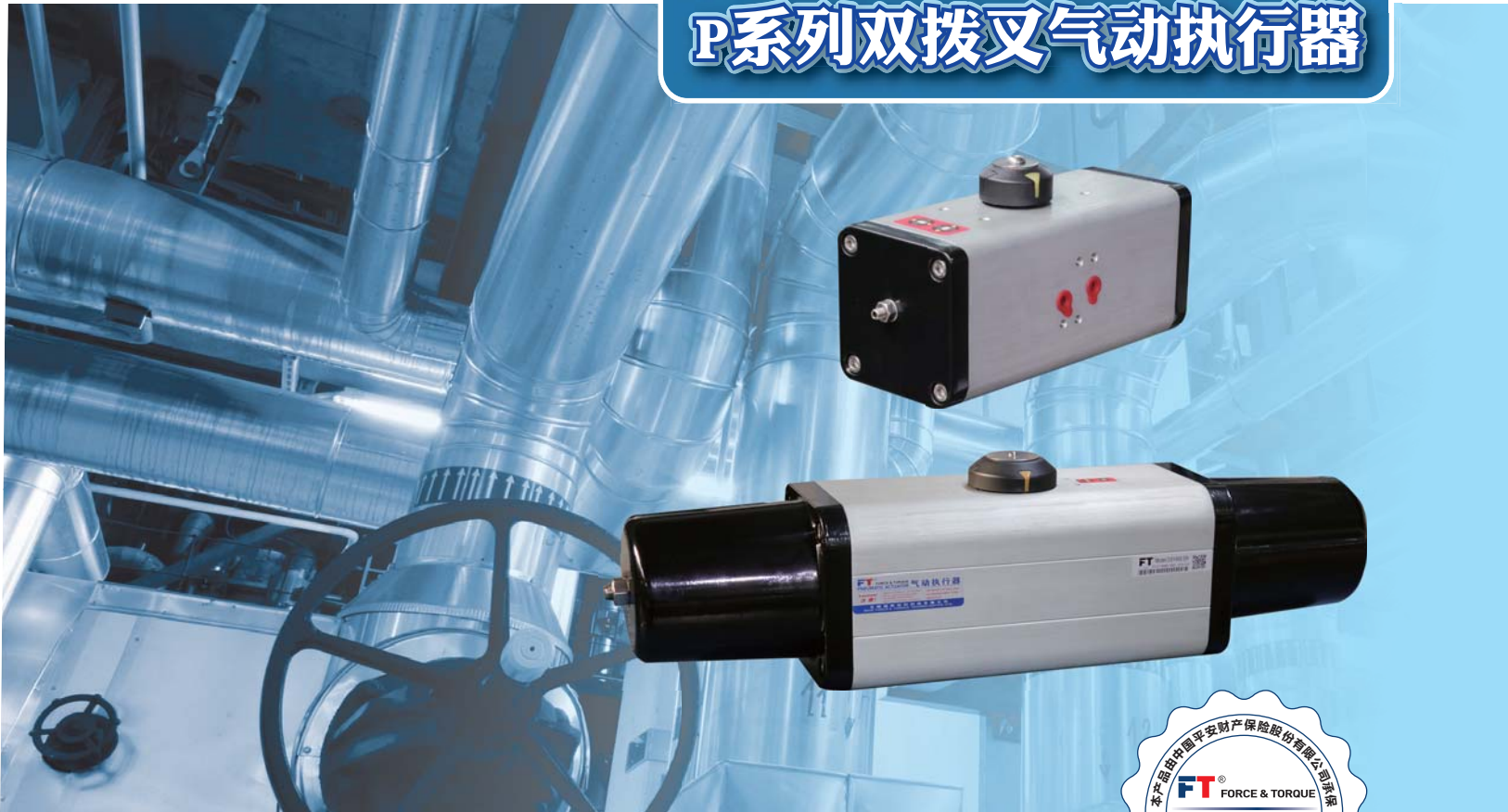


**FT**® **FORCE & TORQUE**

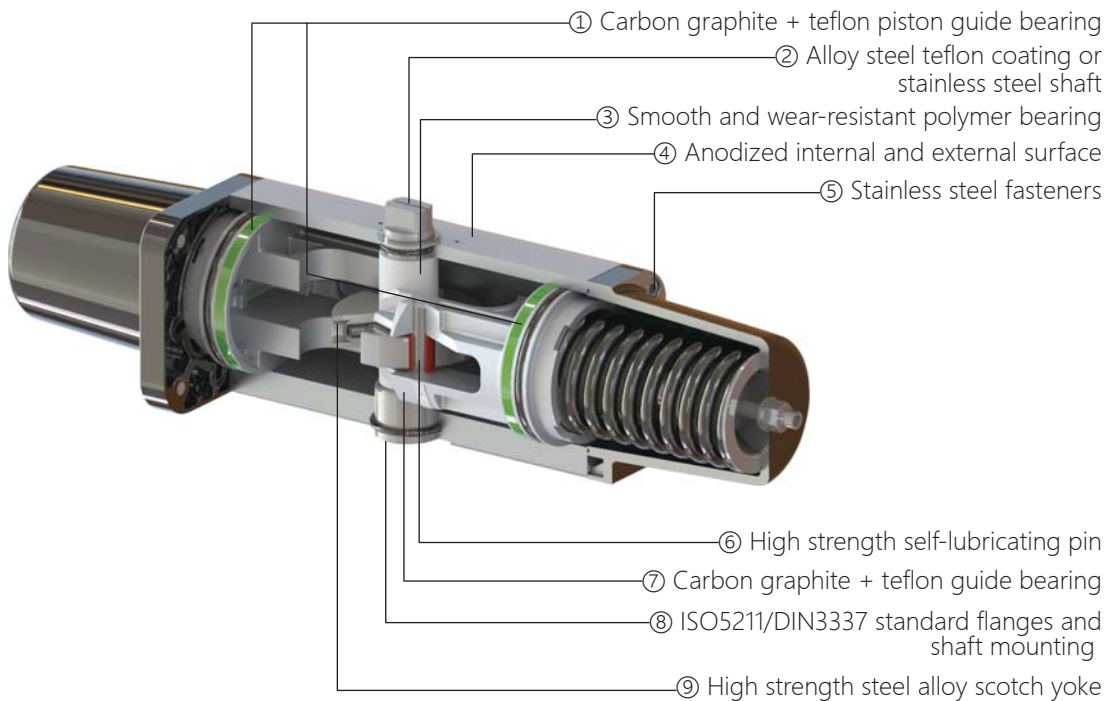
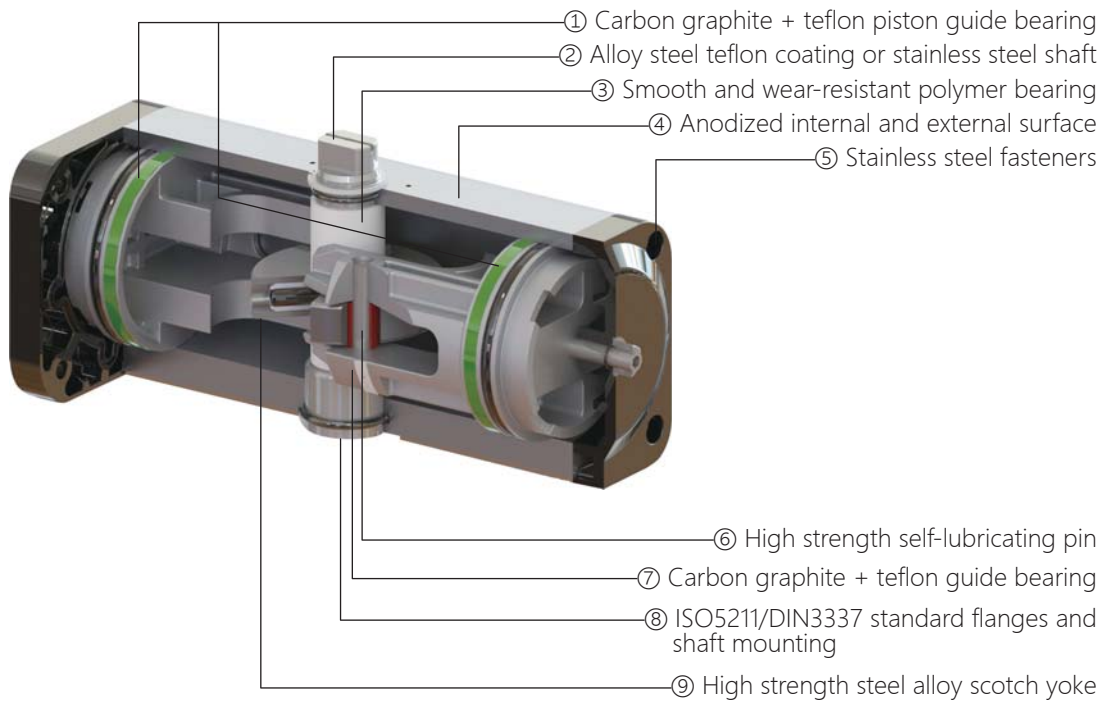


**P Series Dual Scotch Yoke Actuator**  
**P系列双拨叉气动执行器**

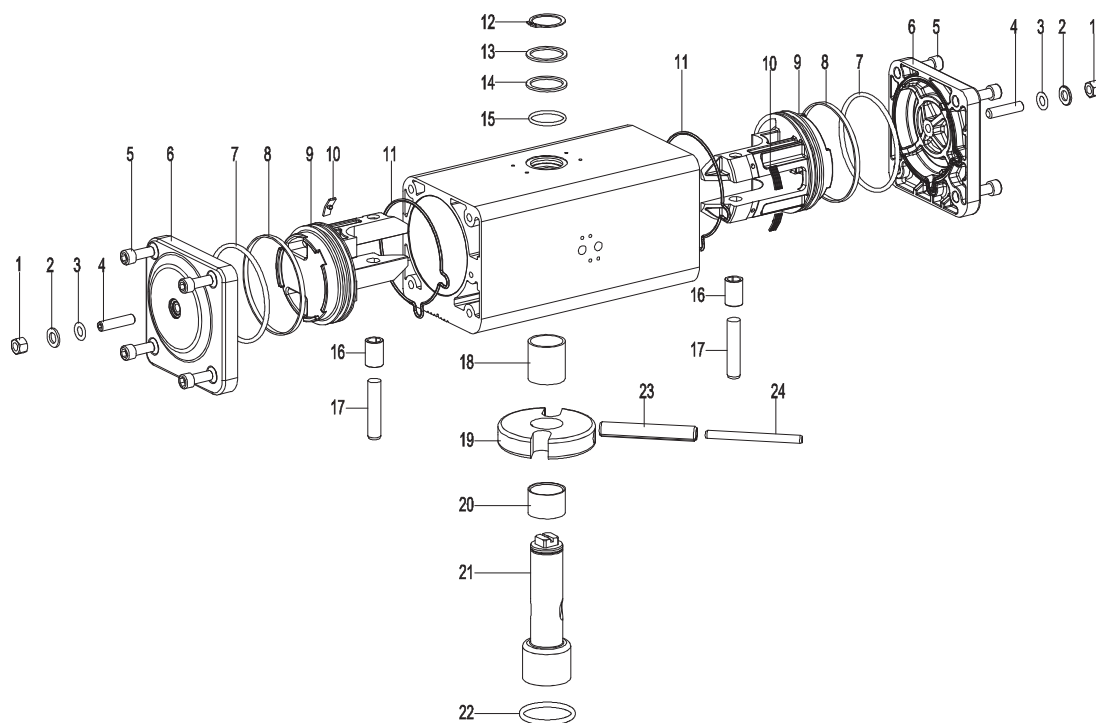


**无锡福斯拓科科技有限公司**  
**WUXI FORCE & TORQUE TECHNOLOGY CO., LTD.**

**产品特性 Characteristics**



## 零件与材料 Parts & Materials



序号 NO.	名称 Name	数量 Qty.	材料 Material	可选材料 Optional
1	调整螺钉螺母 Screw Nut	2	SUS304	SUS316
2	垫片 Washer	2	SUS304	SUS316
3	调节螺钉密封圈 O-ring	2	丁腈橡胶 NBR	氟橡胶 / 硅橡胶 Viton/Silicone
4	调整螺钉 Stroke Adjustment Screw	2	SUS304	SUS316
5	端盖螺栓 Cap Screws	2	SUS304	SUS316
6	双作用缸盖 Cap	2	铸铝 Cast aluminum	
7	活塞密封圈 Piston Sealing	2	丁腈橡胶 NBR	氟橡胶 / 硅橡胶 Viton/Silicone
8	导向带 Piston Bearing	2	工程塑料 POM	
9	活塞 Piston	2	铸铝 Cast aluminum	
10	导向钉 Piston Guide	4	工程塑料 POM	
11	端盖密封圈 Cap Sealing	2	丁腈橡胶 NBR	氟橡胶 / 硅橡胶 Viton/Silicone
12	轴用挡圈 Circlip	1	SUS304	SUS316
13	不锈钢上轴垫片 Matel Washer	1	SUS304	SUS316
14	塑料上轴垫片 External Washer	1	工程塑料 Engineering Plastics	
15	上轴密封圈 Upper Oring (Shaft)	1	丁腈橡胶 NBR	氟橡胶 / 硅橡胶 Viton/Silicone
16	传动销衬套 Roller Bearing	2	粉末冶金 Powder metallurgy	
17	传动销 King Pin	2	合金钢 Alloy steel	
18	上轴套 Upper Support	1	工程塑料 Engineering Plastics	
19	拨叉 Scotch Yoke	1	合金钢 Alloy steel	
20	下轴套 Lower Support	1	工程塑料 Engineering Plastics	
21	轴 Shaft	1	合金钢 Alloy steel	
22	下轴密封圈 Lower Oring (Shaft)	1	丁腈橡胶 NBR	氟橡胶 / 硅橡胶 Viton/Silicone
23	大弹簧销 External Spring Pin	1	弹簧钢 Spring steel	
24	小弹簧销 Internal Spring Pin	1	弹簧钢 Spring steel	

**Output Torque of P Series Scotch Yoke Actuator (Double Acting)**  
**P0040-DCC~P0160-DCC**

Model	Output Torque ( N.m )														
	3.1bar (45PSI)			4.2bar (60PSI)			5.2bar (75PSI)			6.2bar (90PSI)			7.6bar ( 110PSI)		
	0°	45°	90°	0°	45°	90°	0°	45°	90°	0°	45°	90°	0°	45°	90°
P0040-DCC	16.8	8.4	12.9	22.8	11.4	17.5	28.5	14.2	21.6	33.6	16.8	25.8	41.2	20.6	31.6
P0063-DCC	62	31	48	84	42	65	105	53	81	124	62	96	152	76	118
P0083-DCC	151	75	115	205	102	156	256	127	193	302	150	230	370	184	282
P0105-DCC	293	146	220	397	198	298	496	247	369	586	292	440	718	358	539
P0125-DCC	526	263	394	713	356	534	891	445	661	1052	526	788	1290	645	966
P0140-DCC	712	356	532	965	482	721	1206	603	892	1424	712	1064	1746	873	1304
P0160-DCC	1042	521	782	1412	706	1059	1765	882	1312	2084	1042	1564	2555	1277	1917

**Output Torque of P Series Scotch Yoke Actuator (Double Acting)**  
**P0040-DSC~P0160-DSC**

Model	Output Torque ( N.m )														
	3.1bar (45PSI)			4.2bar (60PSI)			5.2bar (75PSI)			6.2bar (90PSI)			7.6bar ( 110PSI)		
	0°	45°	90°	0°	45°	90°	0°	45°	90°	0°	45°	90°	0°	45°	90°
P0040-DSC	14.9	8.6	14.9	20.2	11.6	20.2	25.2	14.6	25.2	29.8	17.2	29.8	36.5	21.1	36.5
P0063-DSC	55	32	55	75	43	75	93	54	93	110	64	110	135	78	135
P0083-DSC	131	76	131	177	103	177	222	129	222	262	152	262	321	186	321
P0105-DSC	255	150	255	346	204	346	432	255	432	511	301	511	626	369	626
P0125-DSC	457	270	457	619	366	619	774	457	774	914	540	914	1120	662	1120
P0140-DSC	618	365	618	837	495	837	1047	618	1047	1236	730	1236	1515	895	1515
P0160-DSC	907	534	907	1229	723	1229	1536	904	1536	1814	1068	1814	2224	1309	2224





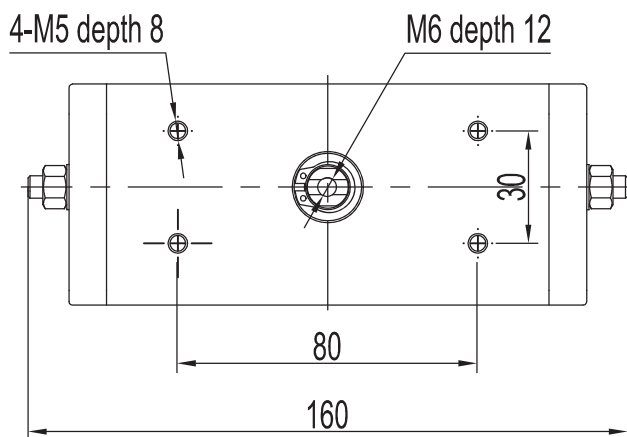
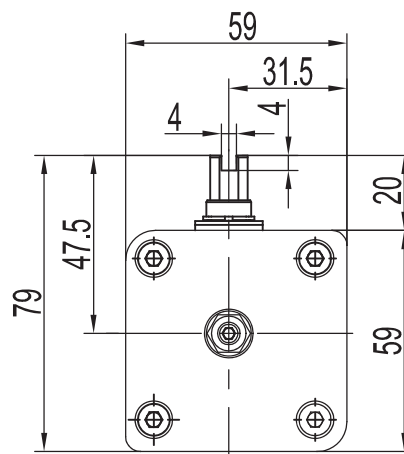
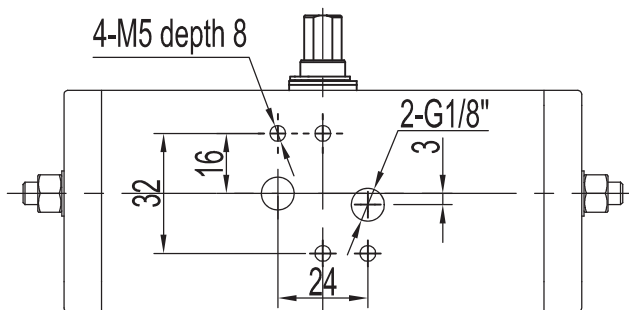
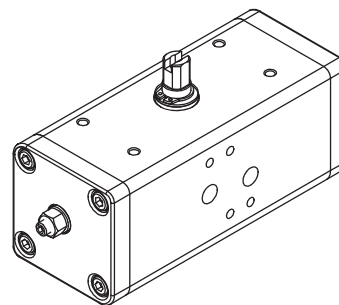
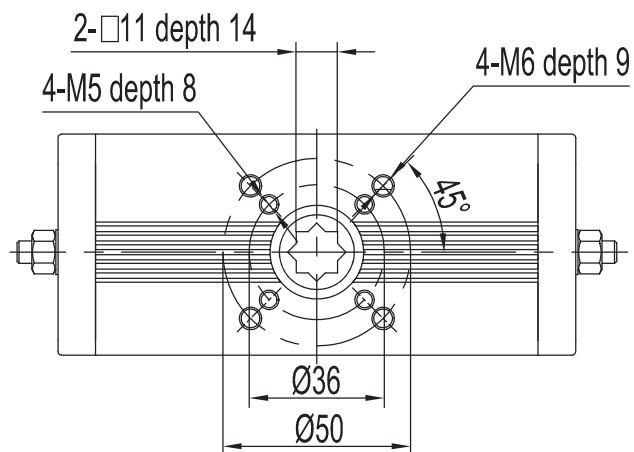
## Output Torque of P Series Scotch Yoke Actuator (Spring Return) P0040~P0160-SC

Model	Output Torque ( N.m )											
	Air to Spring 3.1bar(45PSI)			Air to Spring 4.2bar(60PSI)			Air to Spring 5.2bar(75PSI)			Spring		
	0°	45°	90°	0°	45°	90°	0°	45°	90°	90°	45°	0°
P0040-SC3	9.1	4.3	5.9	14.5	7.4	11.2				9.1	4.3	5.8
P0040-SC4				12.4	5.8	8.0	17.2	8.7	12.8	12.3	5.8	7.9
P0040-SC5							15.6	7.3	9.2	15.9	7.3	9.5
P0063-SC3	34.0	16.0	21.7	53.8	27.4	41.4				34.0	16.0	21.6
P0063-SC4				45.9	20.4	24.9	63.9	30.8	42.9	50.5	23.0	29.5
P0063-SC5							57.1	26.9	36.2	57.2	26.9	36.3
P0083-SC3	79.7	38.1	49.8	126.2	65.1	96.3				81.3	38.1	51.4
P0083-SC4				107.9	51.6	67.4	150.3	76.2	109.8	110.1	51.6	69.6
P0083-SC5							133.7	63.9	83.6	136.4	63.9	86.3
P0105-SC3	153.8	75.2	101.5	244.4	128.6	192.2				153.8	75.2	101.5
P0105-SC4				208.4	101.9	137.6	290.8	150.4	219.9	208.4	101.9	137.6
P0105-SC5							264.3	126.2	163.9	264.4	126.2	164.0
P0125-SC3	273	130	168	430	218	326				277	133	173
P0125-SC4				379	175	233	533	270	388	370	175	224
P0125-SC5							462	225	308	450	220	296
P0140-SC3	371	183	247	591	312	466				371	183	247
P0140-SC4				503	247	335	712	371	544	502	247	334
P0140-SC5							643	310	406	641	309	404
P0160-SC3	547	267	361	869	457	683				546	267	361
P0160-SC4				741	362	489	1048	543	797	740	362	489
P0160-SC5							1000	449	525	1012	456	536

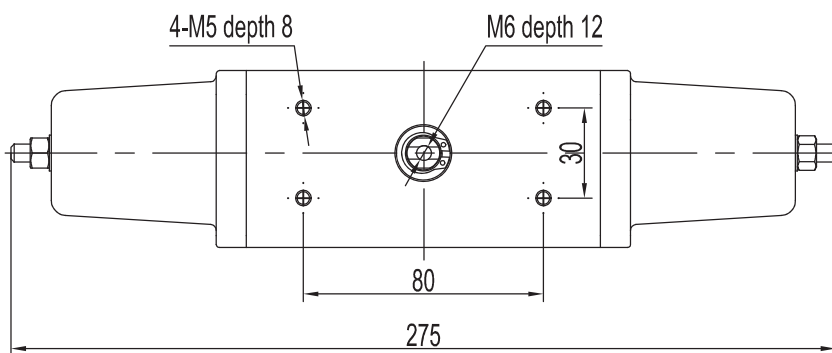
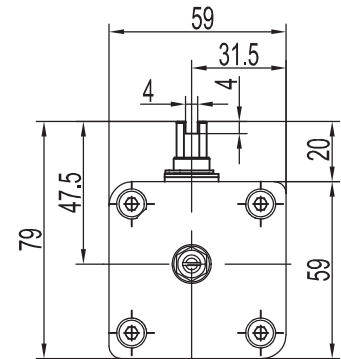
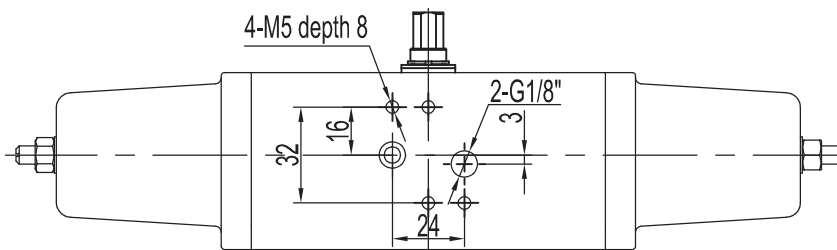
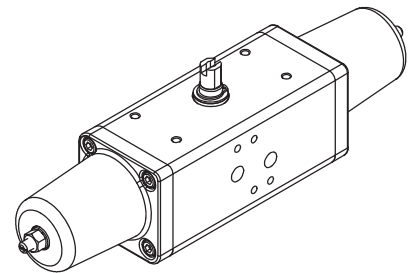
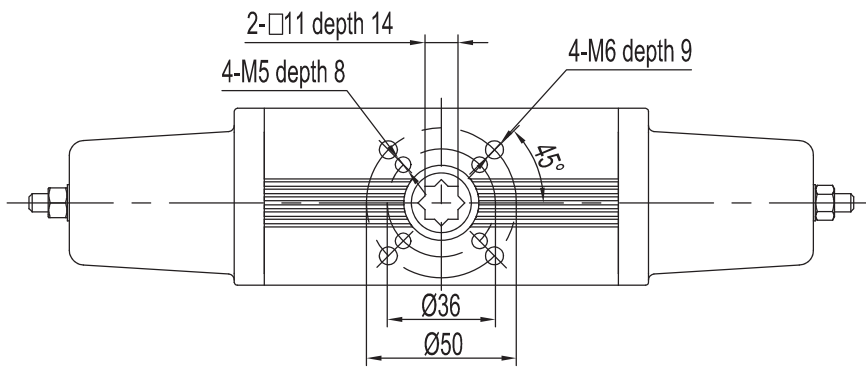
### Output Torque of P Series Scotch Yoke Actuator (Spring Return) P0040~P0160-SO

Model	Output Torque ( N.m )											
	Air to Spring 3.1bar(45PSI)			Air to Spring 4.2bar(60PSI)			Air to Spring 5.2bar(75PSI)			Spring		
	90°	45°	0°	90°	45°	0°	90°	45°	0°	0°	45°	90°
P0040-SO3	9.1	4.3	5.9	14.5	7.4	11.2				9.1	4.3	5.8
P0040-SO4				12.4	5.8	8.0	17.2	8.7	12.8	12.3	5.8	7.9
P0040-SO5							15.6	7.3	9.2	15.9	7.3	9.5
P0063-SO3	34.0	16.0	21.7	53.8	27.4	41.4				34.0	16.0	21.6
P0063-SO4				45.9	20.4	24.9	63.9	30.8	42.9	50.5	23.0	29.5
P0063-SO5							57.1	26.9	36.2	57.2	26.9	36.3
P0083-SO3	79.7	38.1	49.8	126.2	65.1	96.3				81.3	38.1	51.4
P0083-SO4				107.9	51.6	67.4	150.3	76.2	109.8	110.1	51.6	69.6
P0083-SO5							133.7	63.9	83.6	136.4	63.9	86.3
P0105-SO3	153.8	75.2	101.5	244.4	128.6	192.2				153.8	75.2	101.5
P0105-SO4				208.4	101.9	137.6	290.8	150.4	219.9	208.4	101.9	137.6
P0105-SO5							264.3	126.2	163.9	264.4	126.2	164.0
P0125-SO3	273	130	168	430	218	326				277	133	173
P0125-SO4				379	175	233	533	270	388	370	175	224
P0125-SO5							462	225	308	450	220	296
P0140-SO3	371	183	247	591	312	466				371	183	247
P0140-SO4				503	247	335	712	371	544	502	247	334
P0140-SO5							643	310	406	641	309	404
P0160-SO3	547	267	361	869	457	683				546	267	361
P0160-SO4				741	362	489	1048	543	797	740	362	489
P0160-SO5							1000	449	525	1012	456	536

**P0040-DS(C)CF03F05外型尺寸 Dimension**

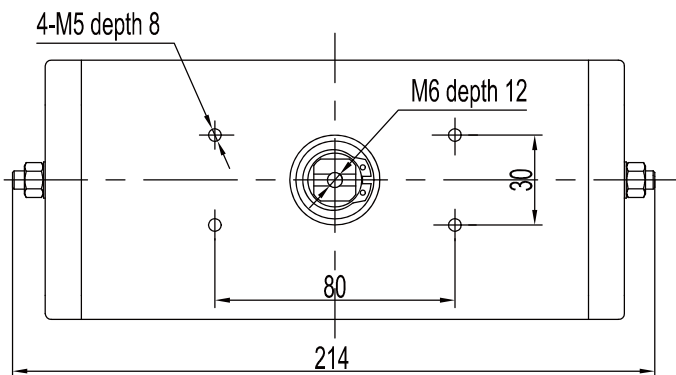
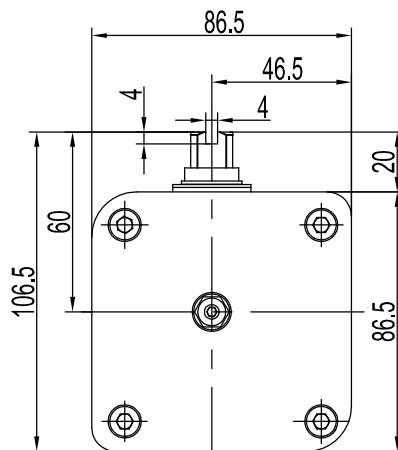
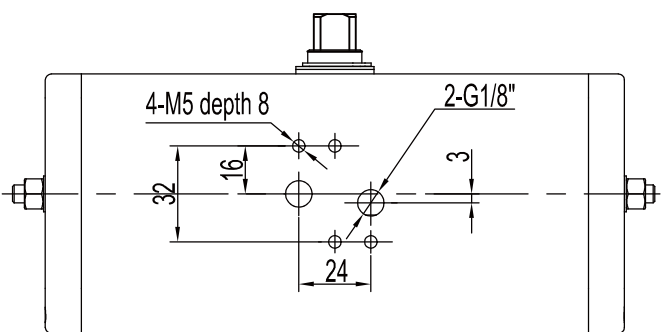
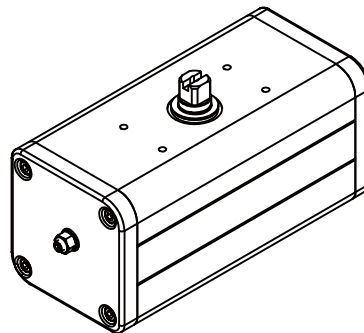
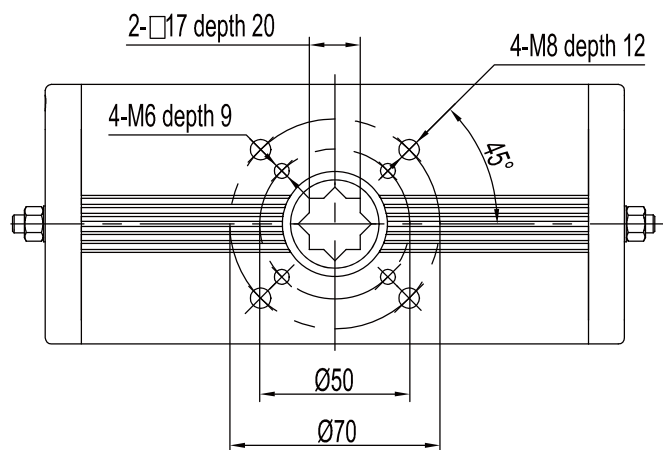


**P0040-SO(C)F03F05外型尺寸 Dimension**

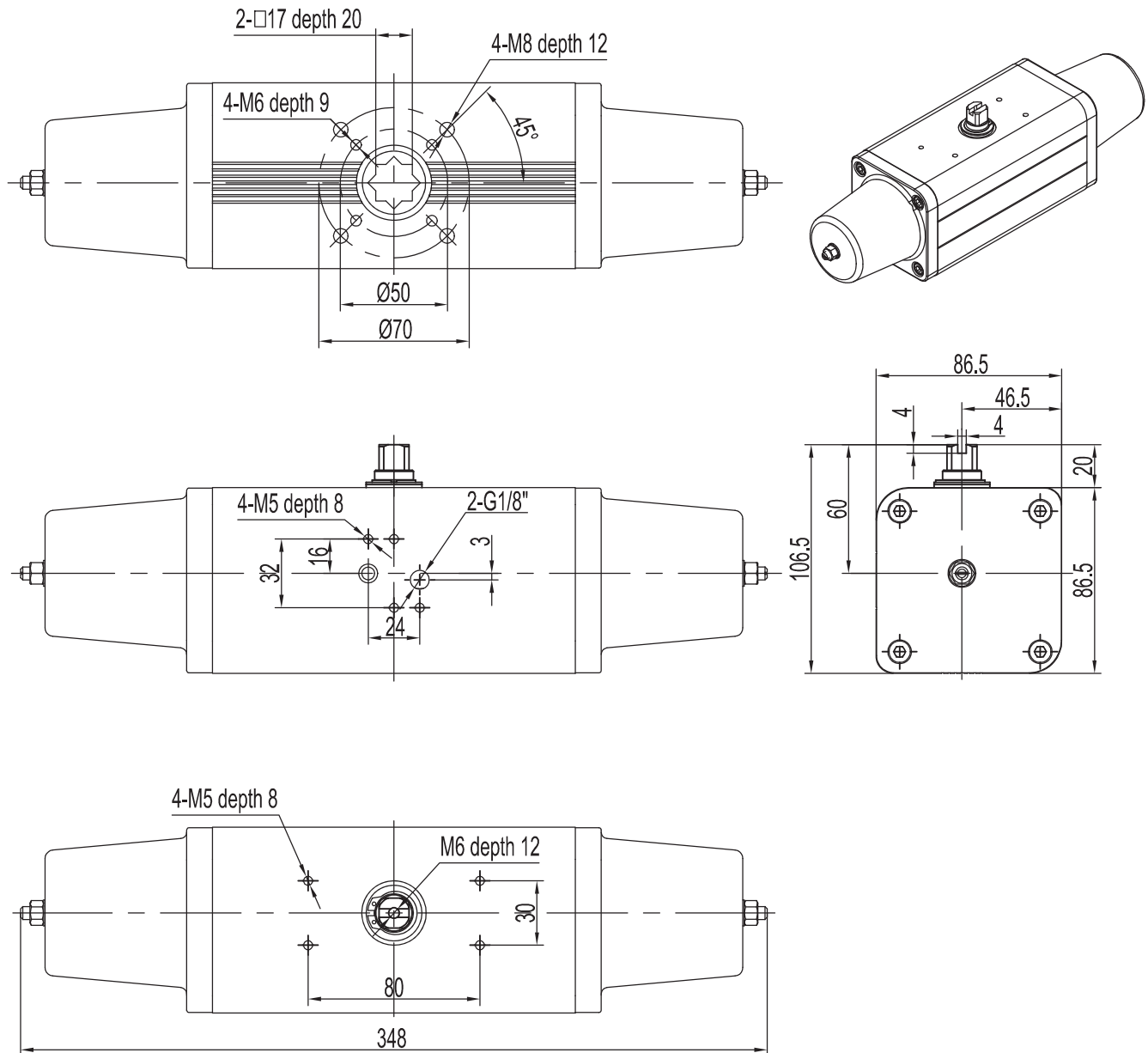




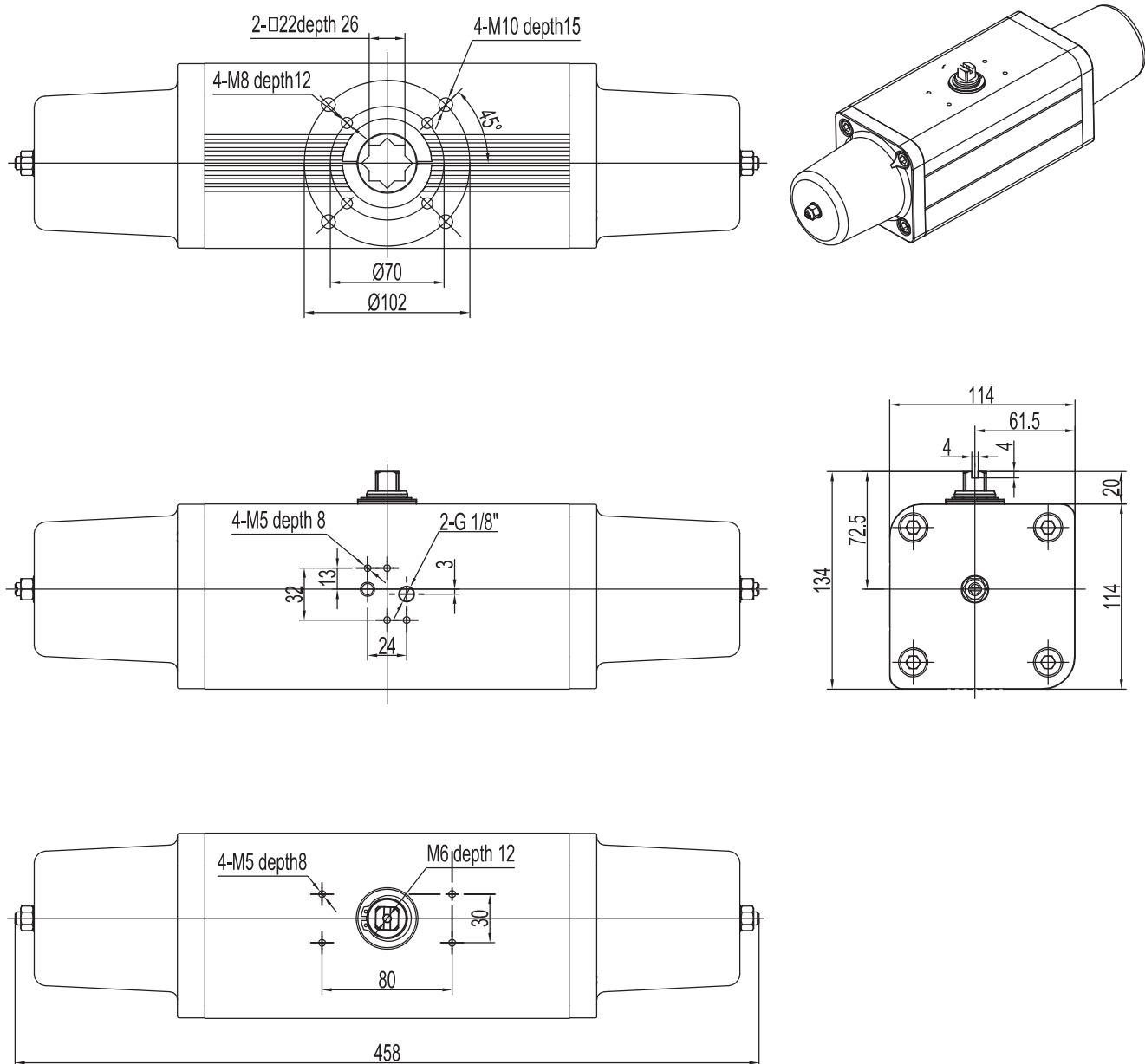
**P0063-DS(C)CF05F07外型尺寸 Dimension**



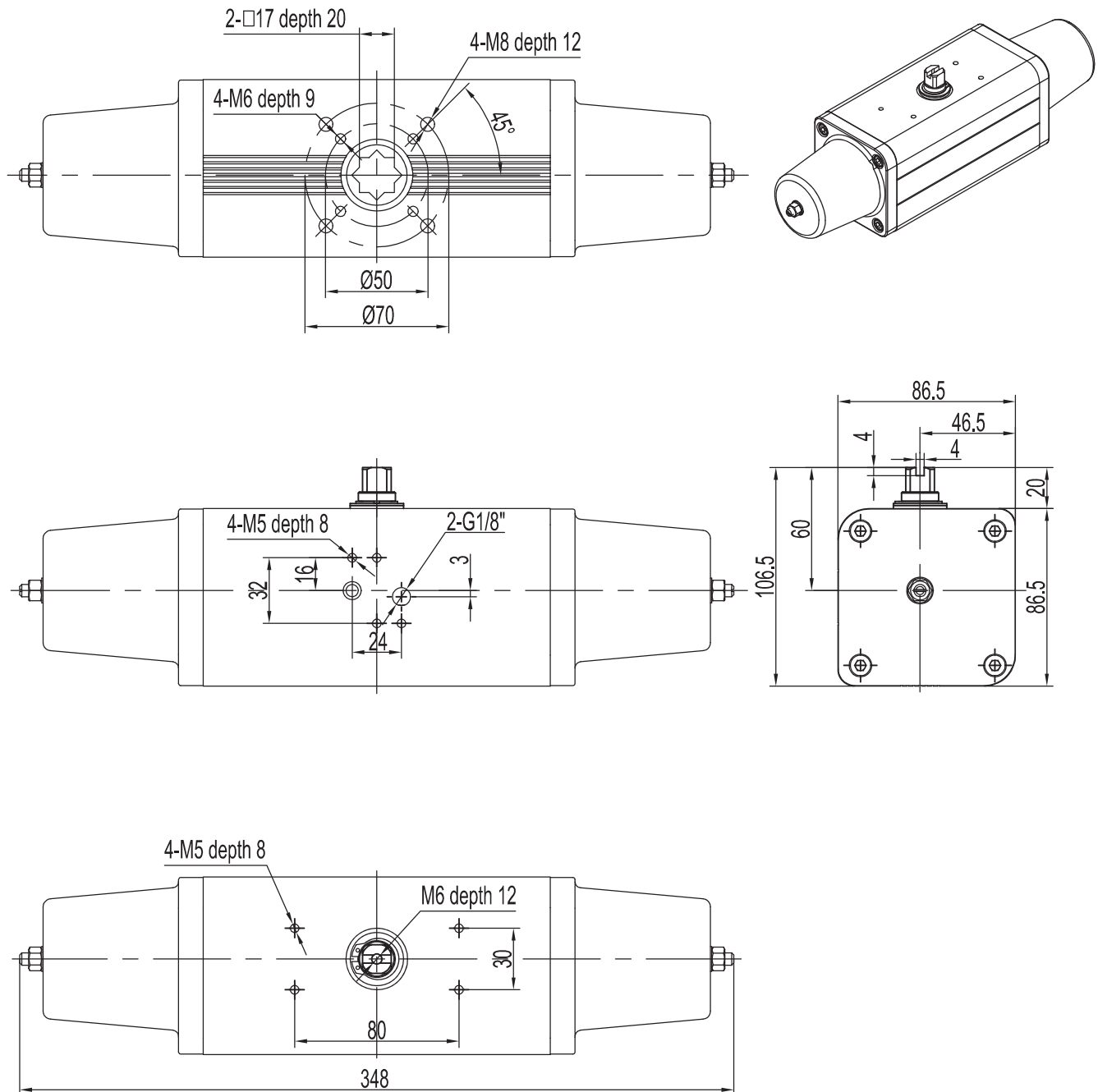
**P0063-SO(C)CF05F07外型尺寸 Dimension**



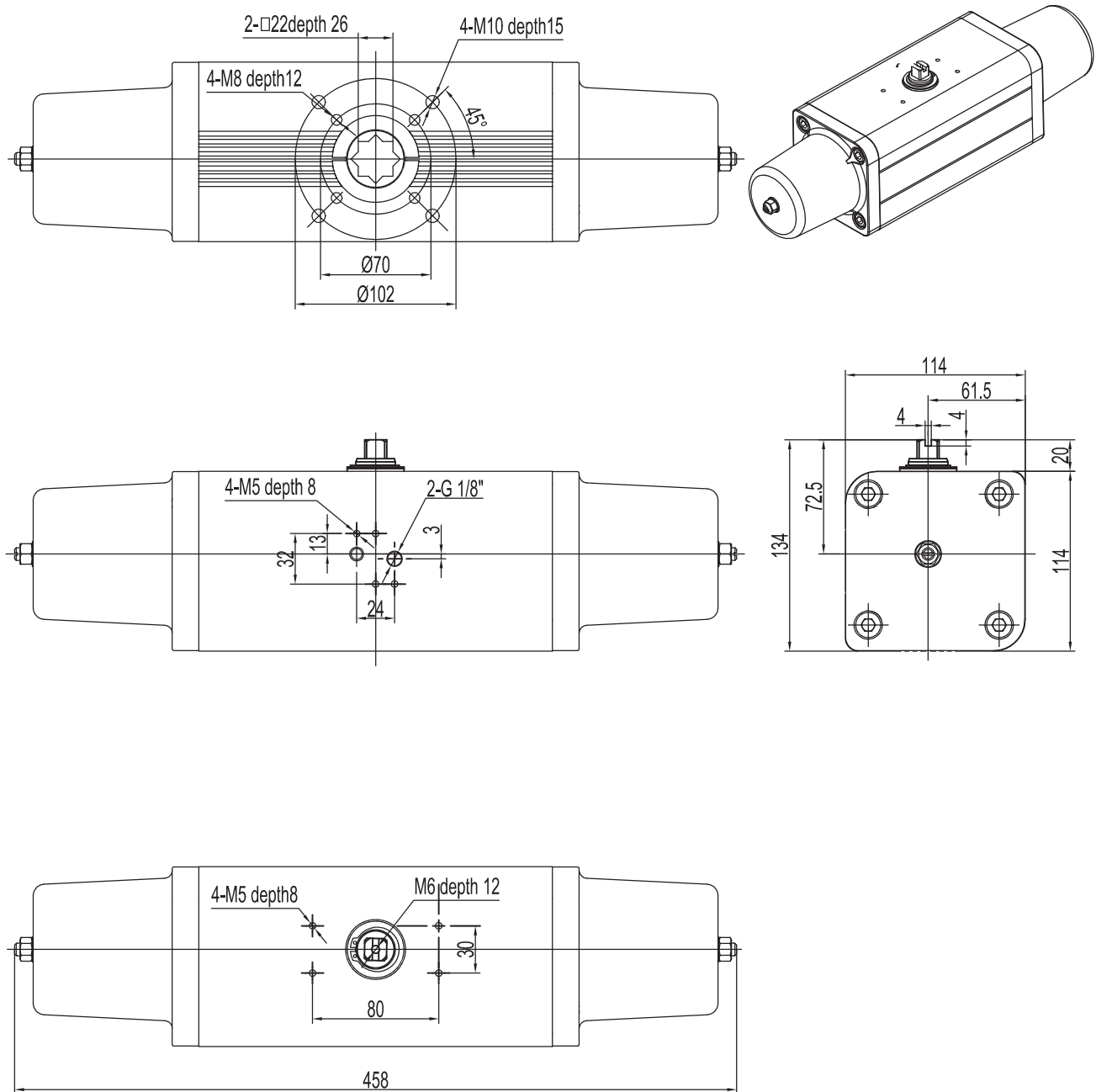
**P0083-DS(C)CF07F10外型尺寸 Dimension**



**P0063-SO(C)CF05F07外型尺寸 Dimension**

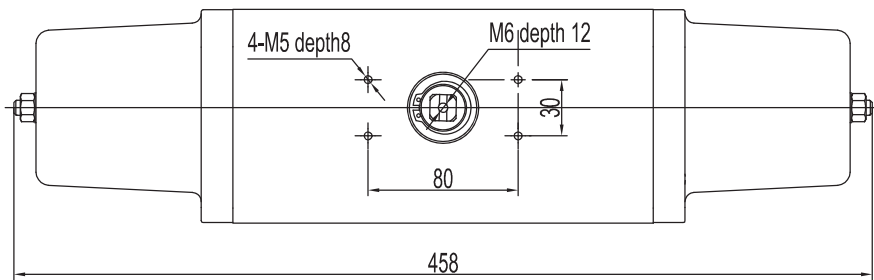
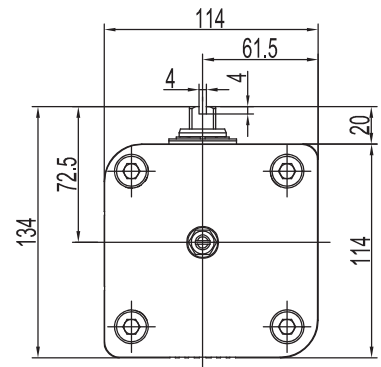
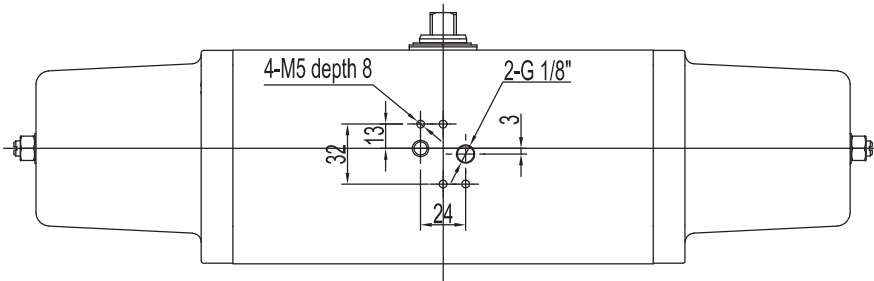
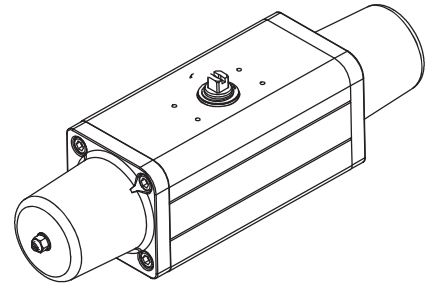
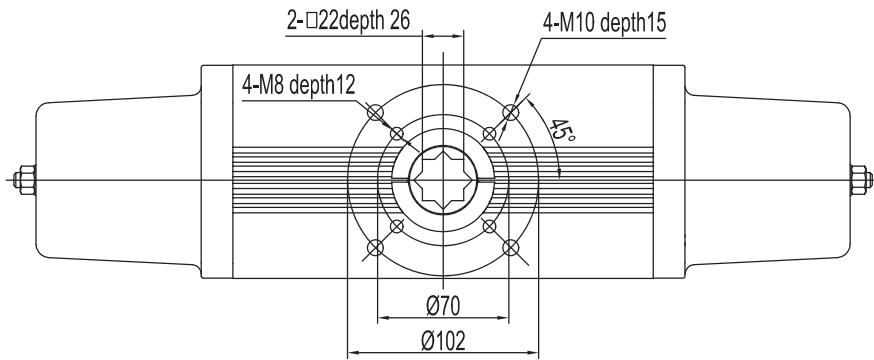


### P0083-DS(C)CF07F10外型尺寸 Dimension

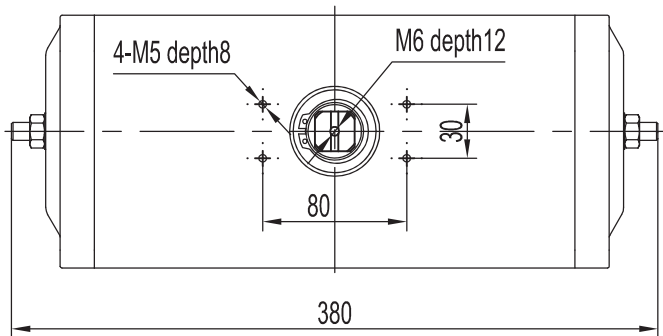
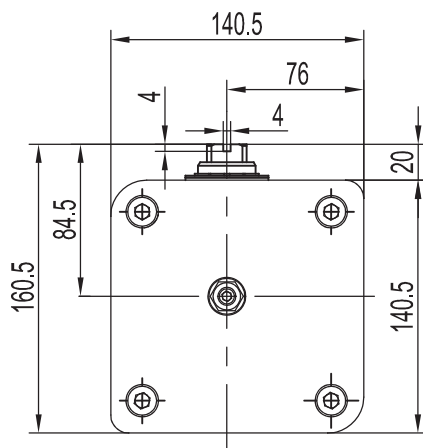
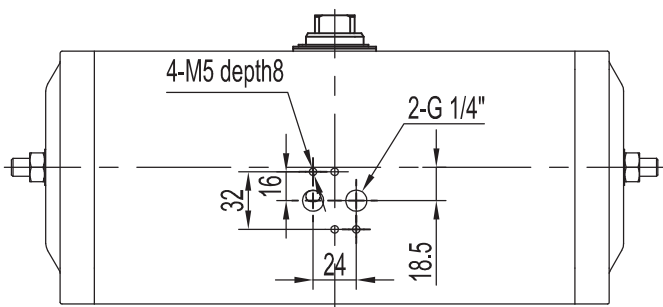
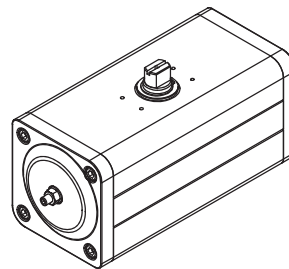
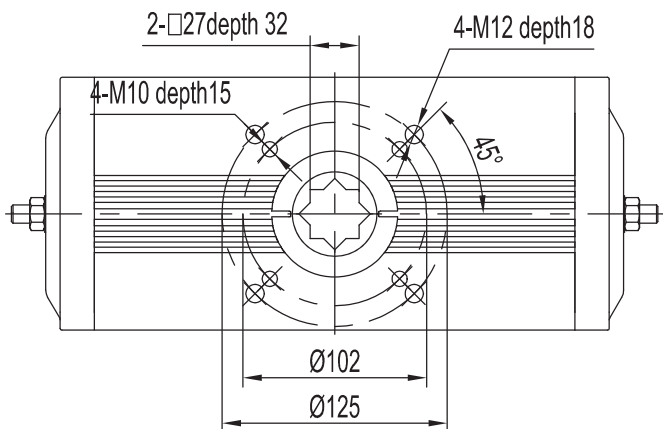




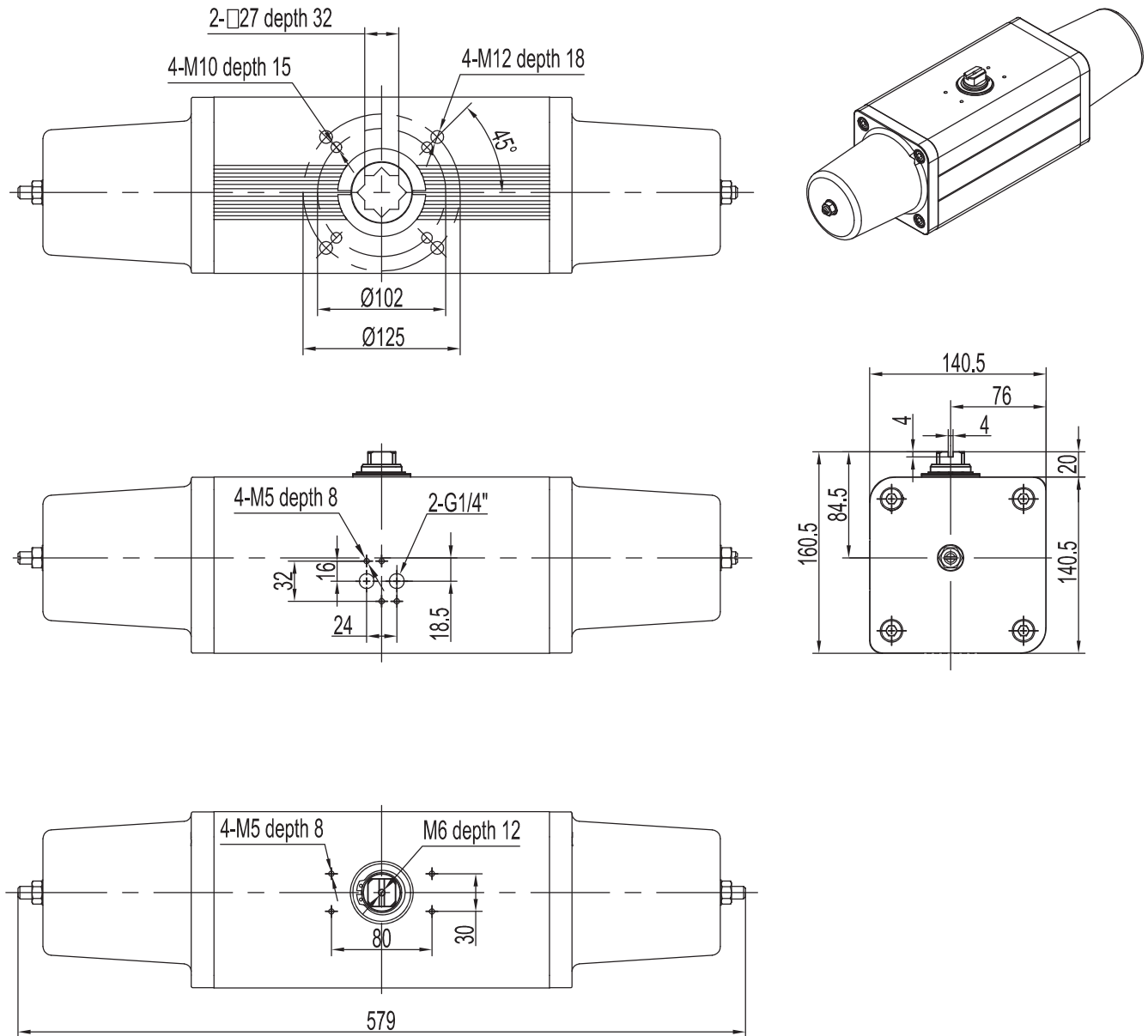
**P0083-SO(C)F07F10外型尺寸 Dimension**



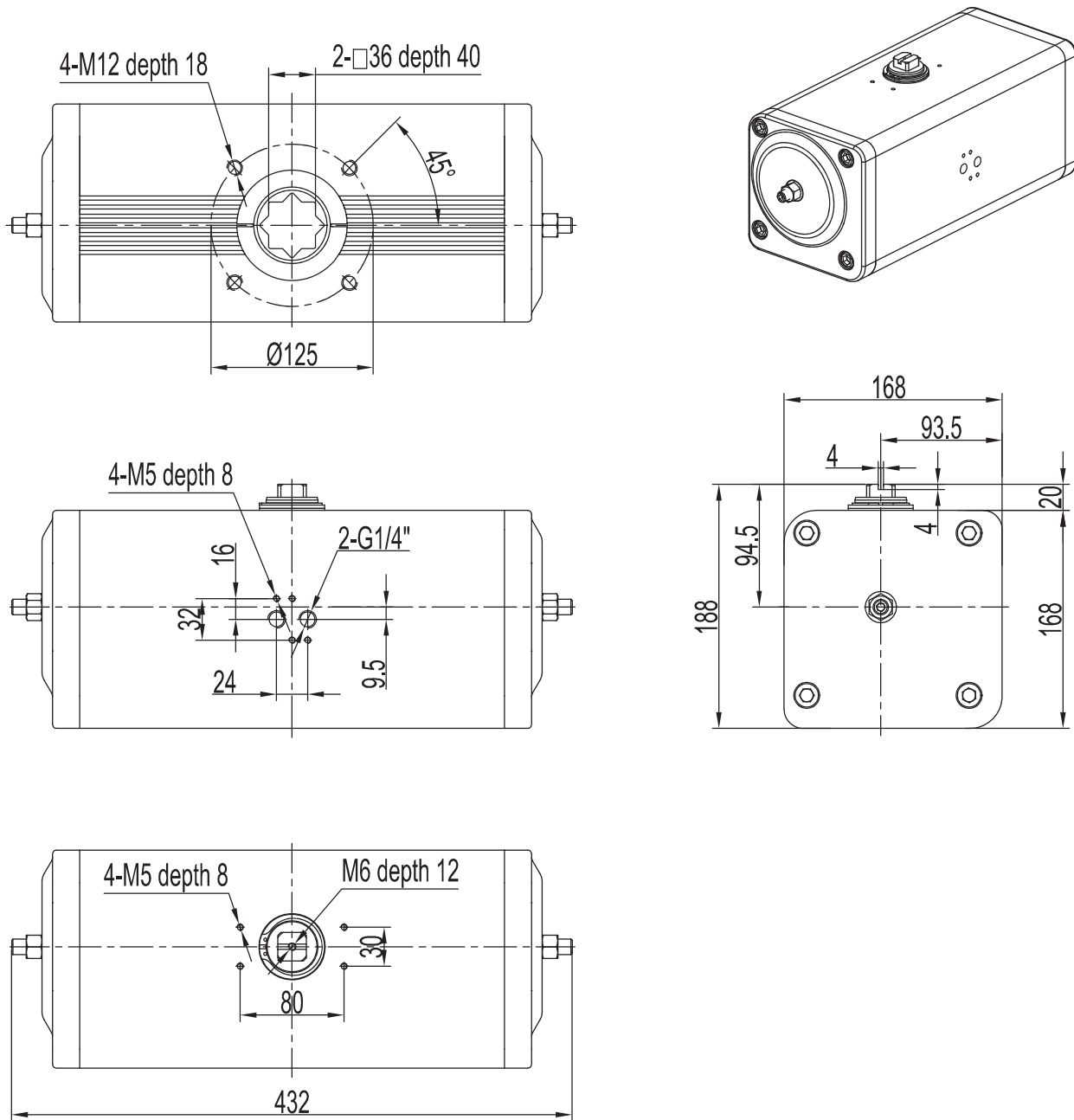
**P0105-DS(C)CF10F12外型尺寸 Dimension**



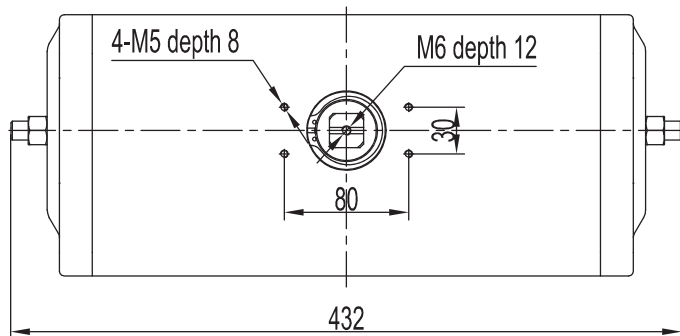
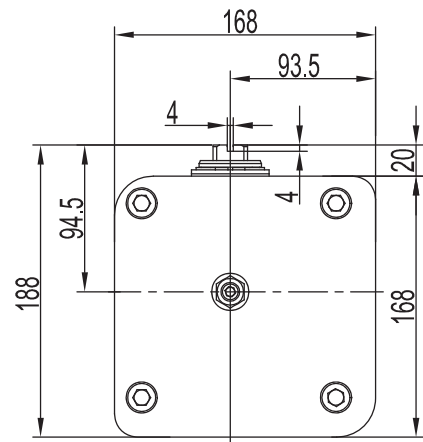
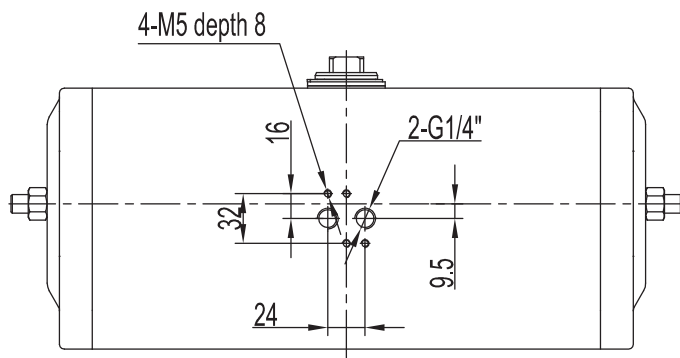
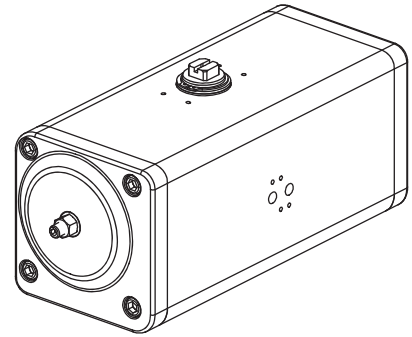
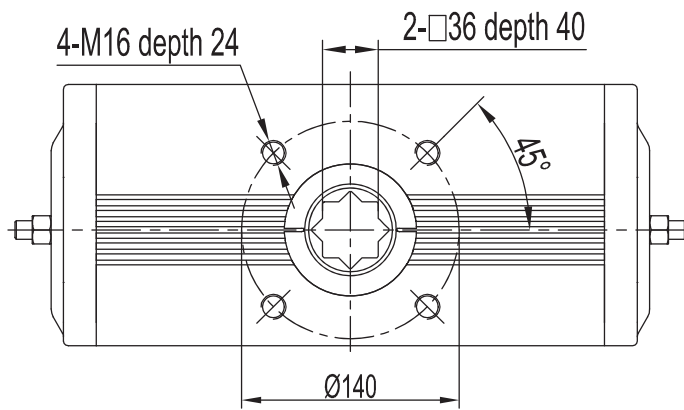
**P0105-SO(C)F10F12外型尺寸 Dimension**



### P0125-DS(C)CF12外型尺寸 Dimension

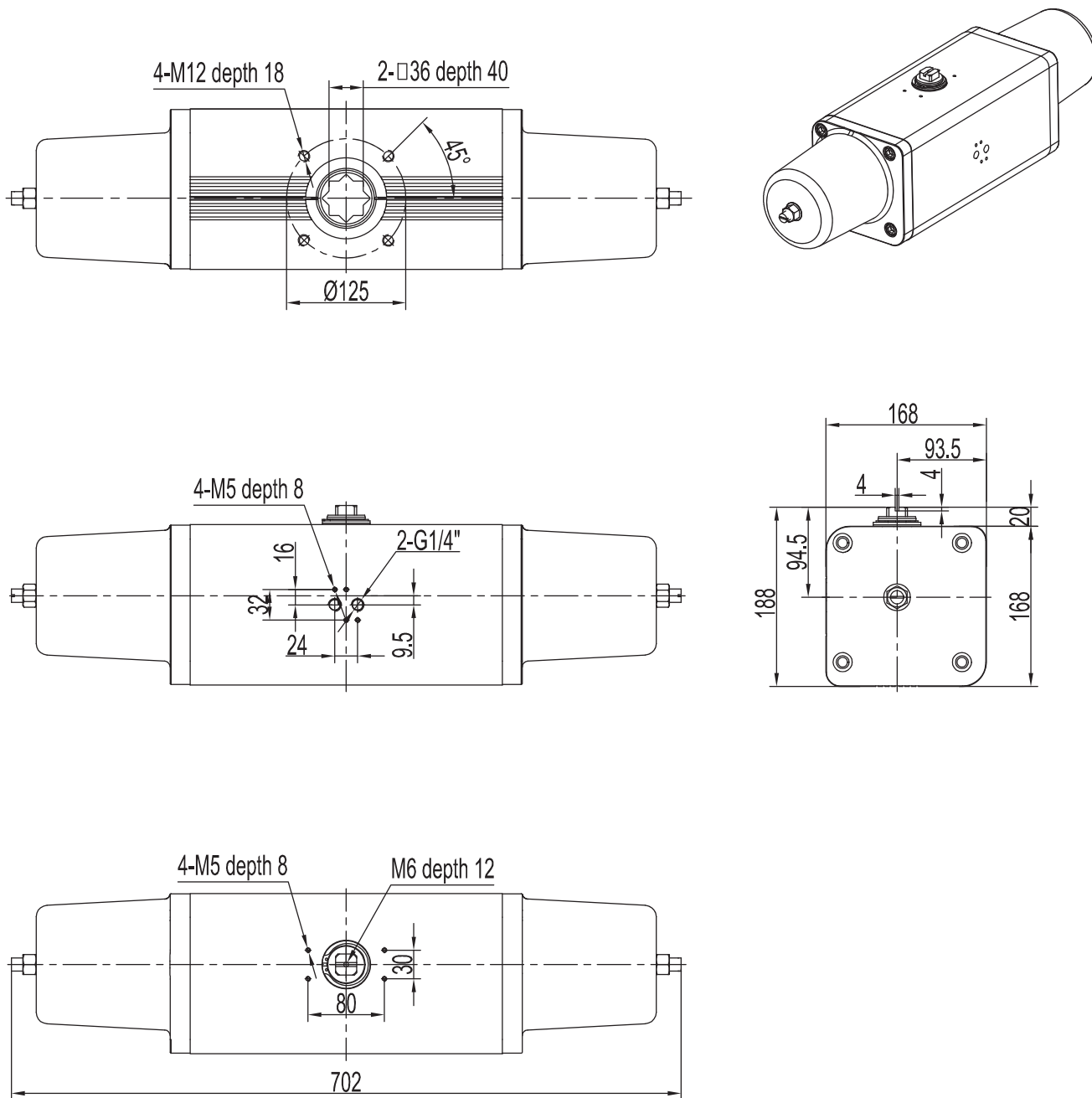


**P0125-DS(C)CF14外型尺寸 Dimension**

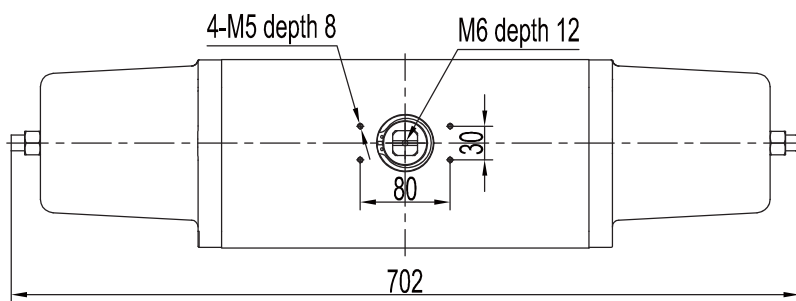
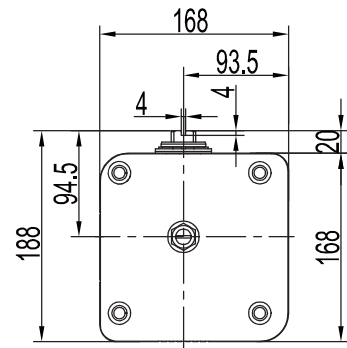
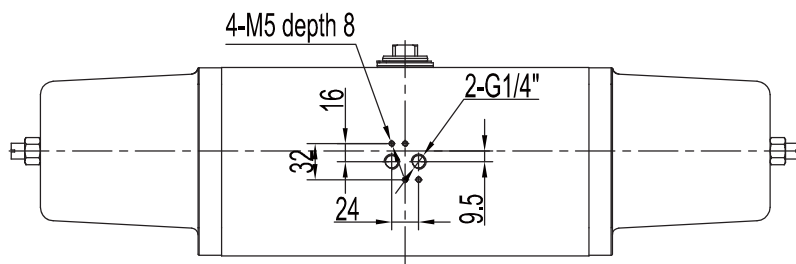
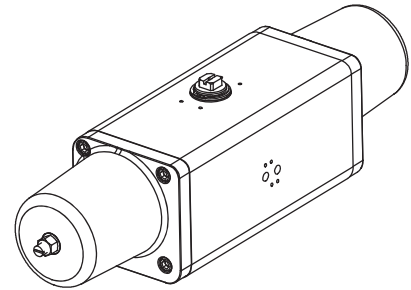
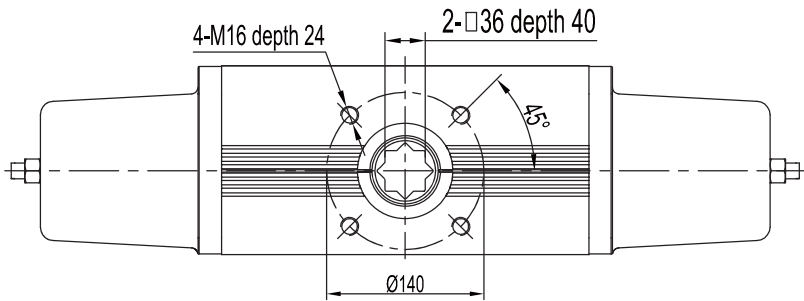




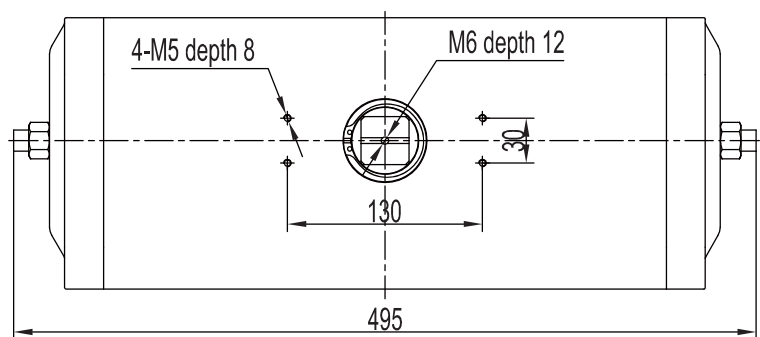
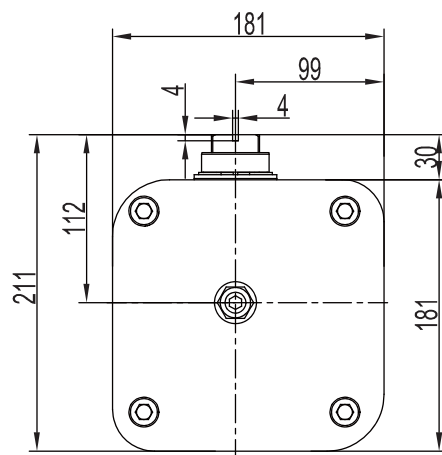
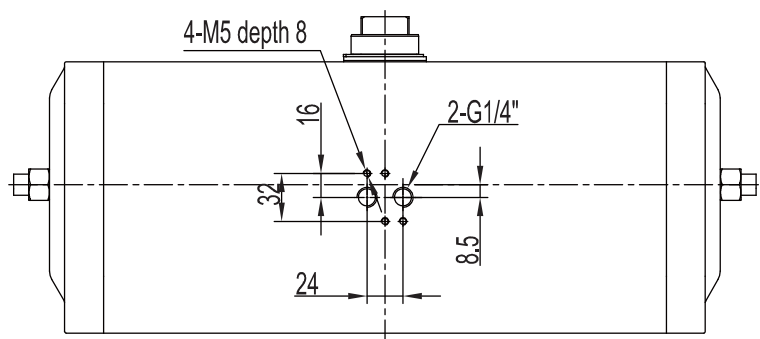
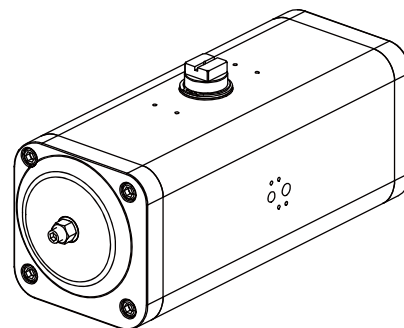
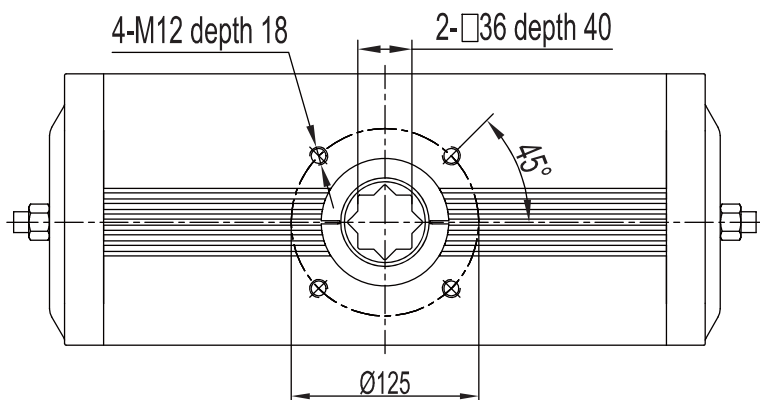
### P0125-SO(C)F12外型尺寸 Dimension



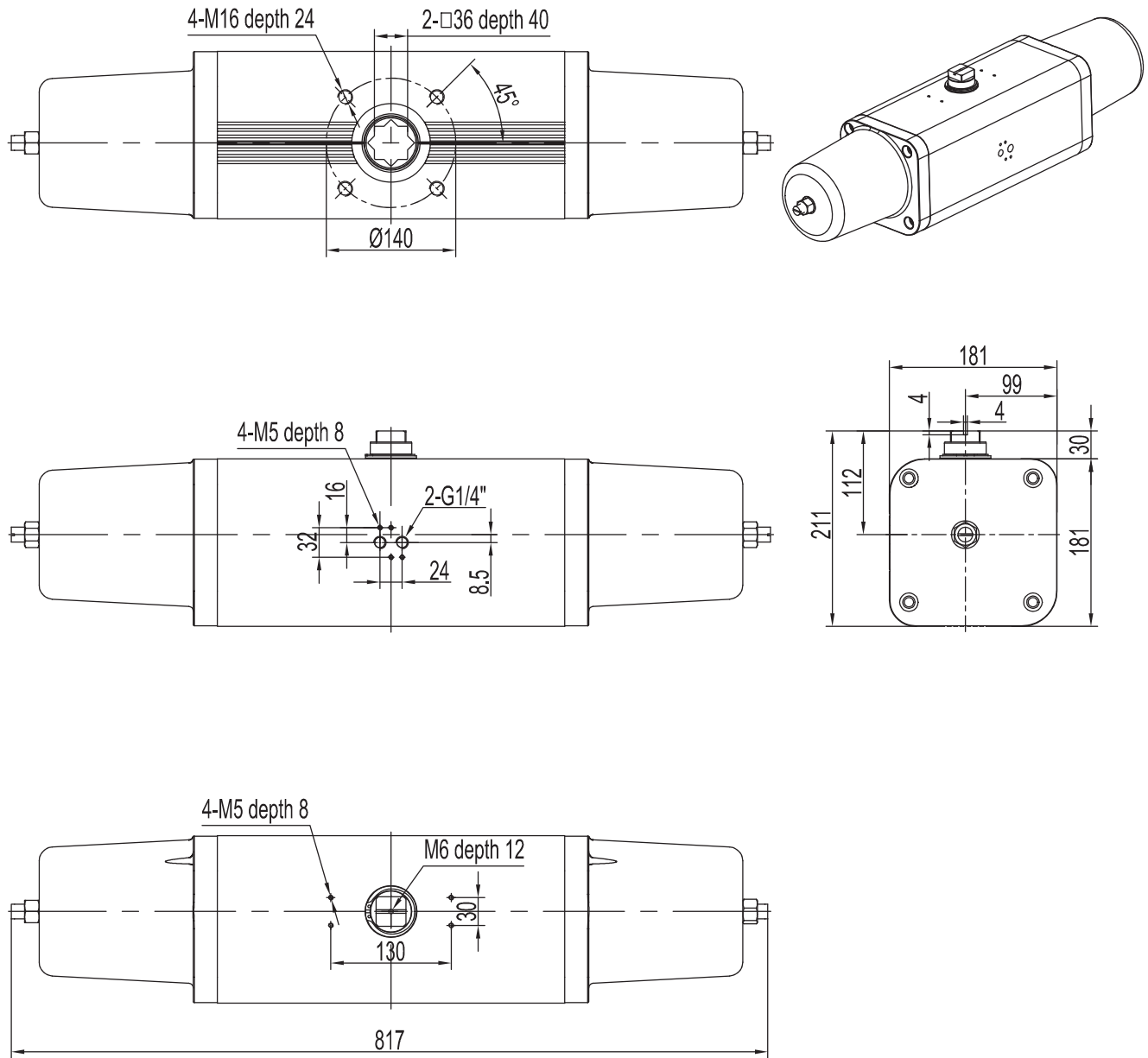
**P0125-SO(C)F14外型尺寸 Dimension**



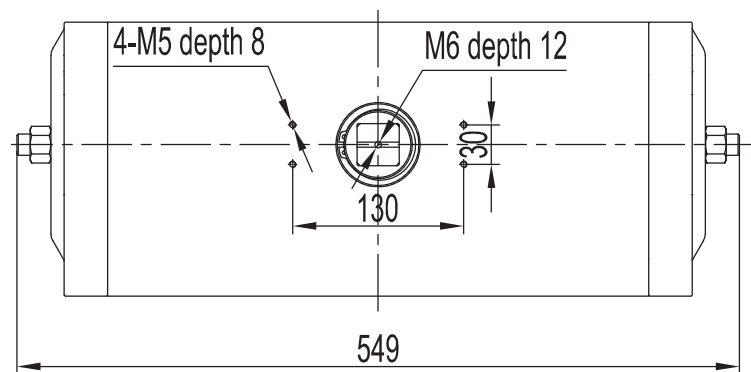
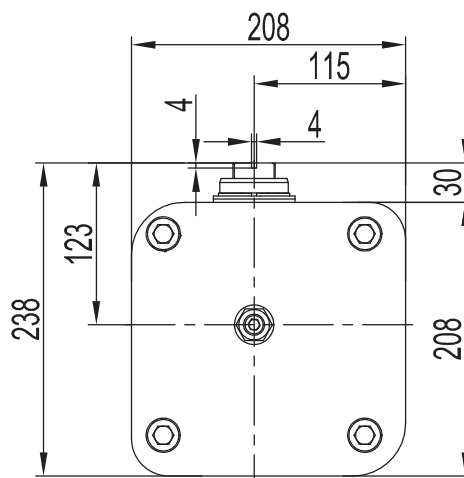
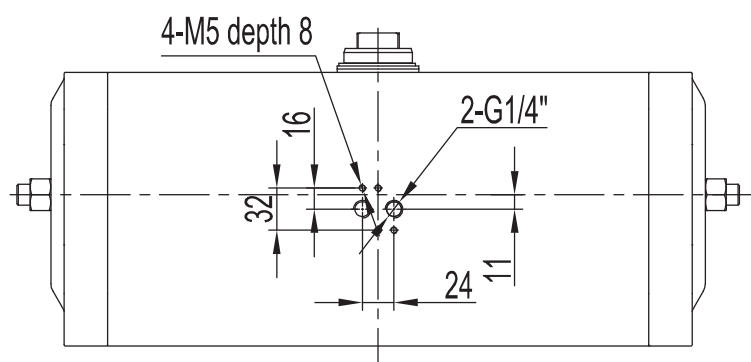
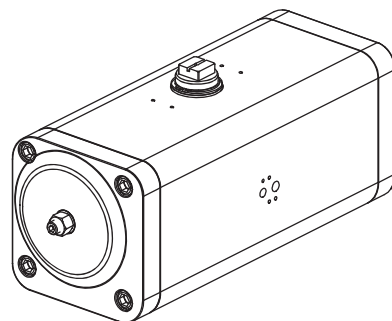
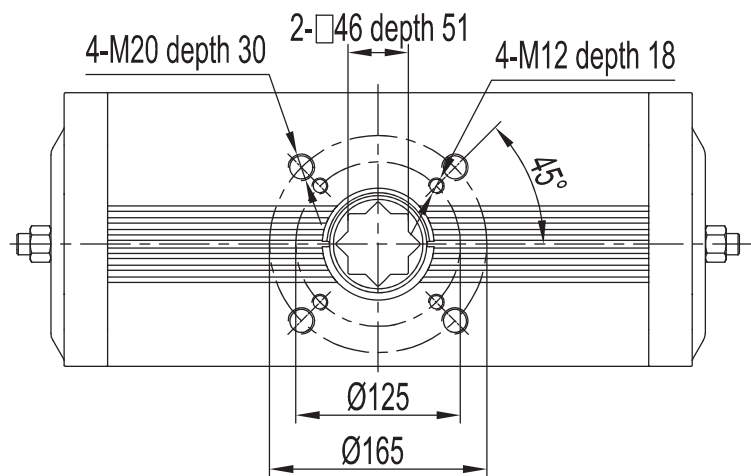
**P0140-DS(C)CF12外型尺寸 Dimension**



**P0140-SO(C)F14外型尺寸 Dimension**

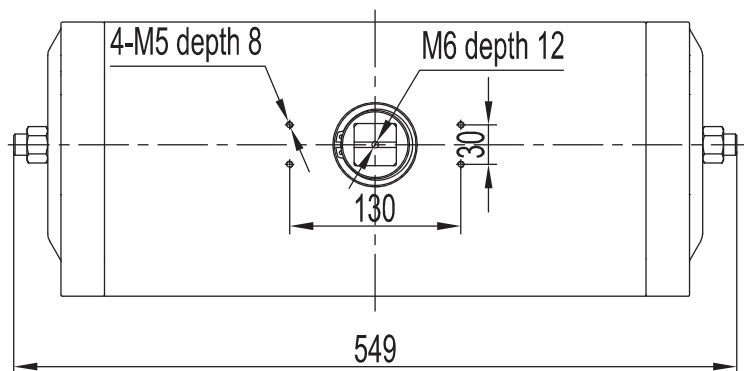
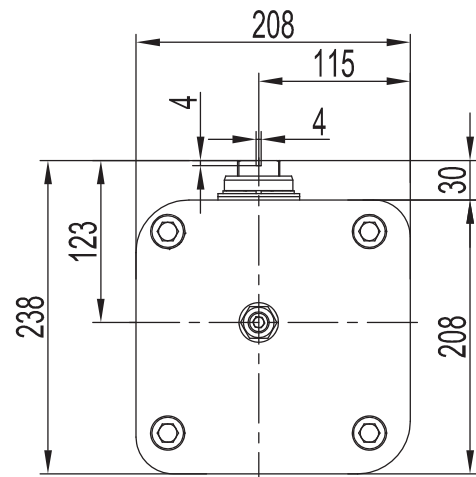
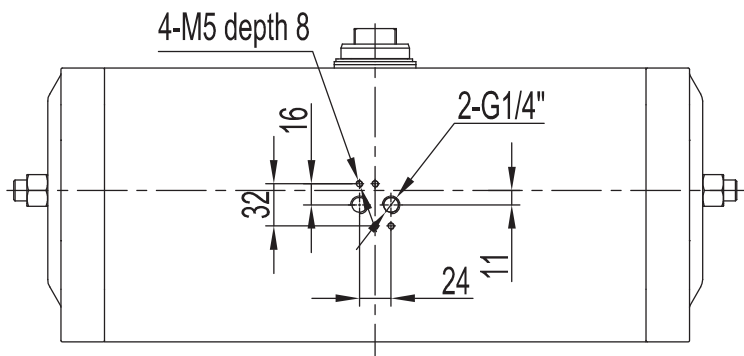
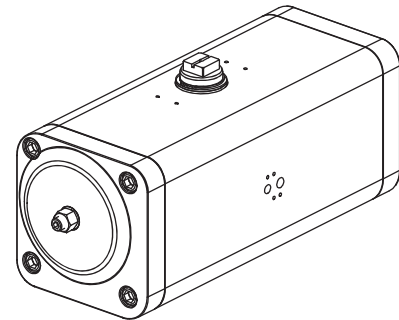
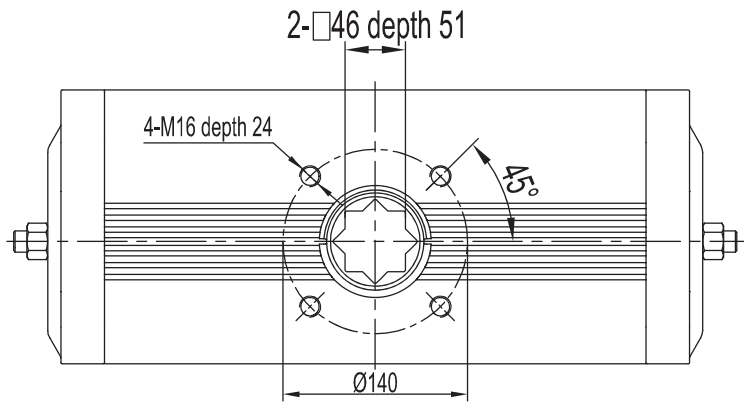


**P0160-DS(C)CF12F16外型尺寸 Dimension**

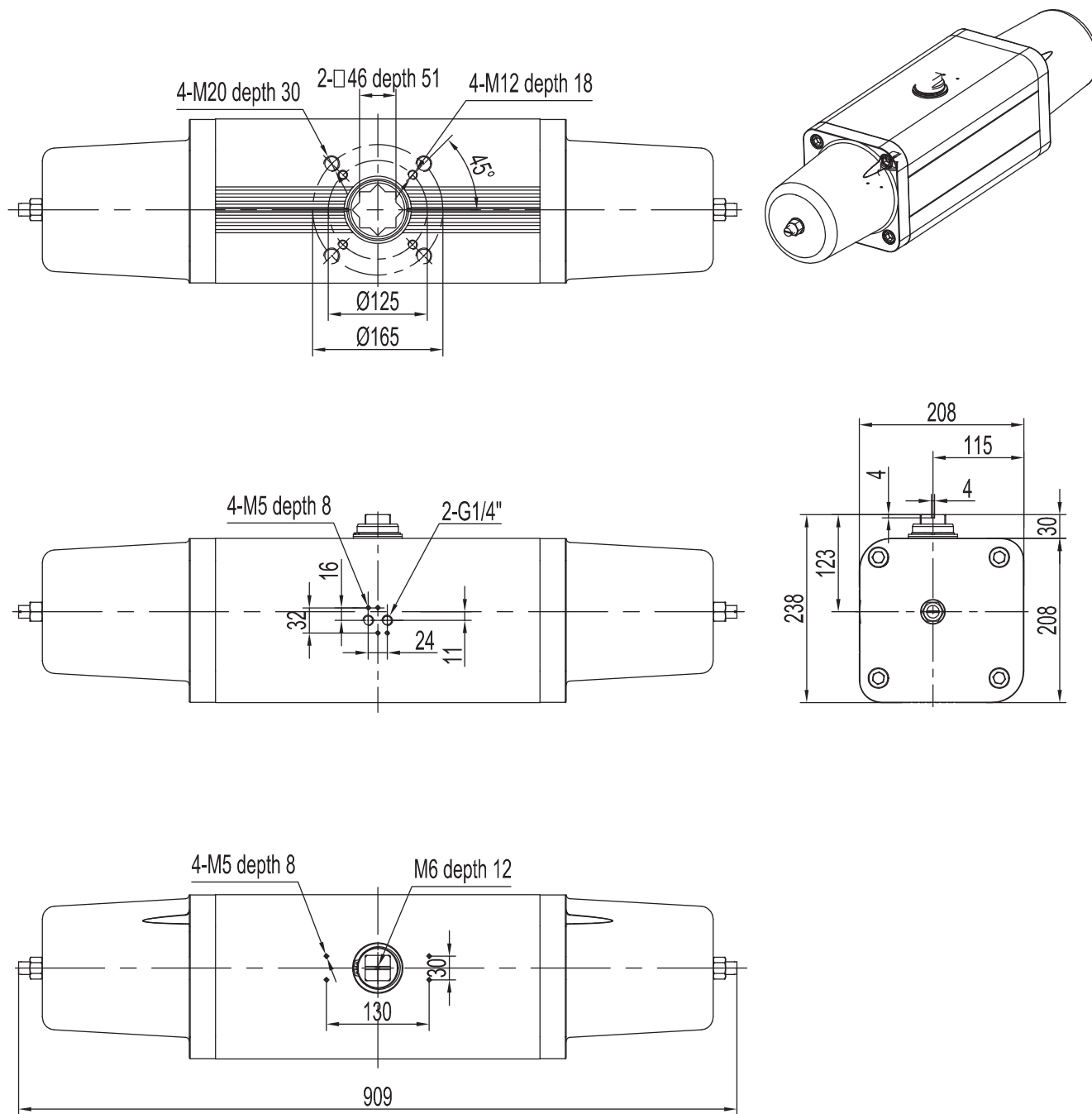




**P0160-DS(C)CF14外型尺寸 Dimension**



**P0160-SO(C)F12F16外型尺寸 Dimension**



**P0160-SO(C)F14外型尺寸 Dimension**

